

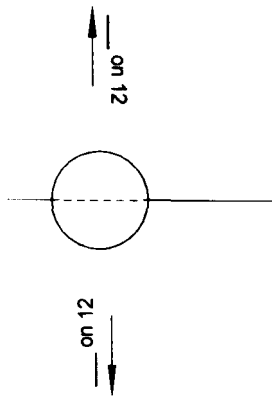
# Finial Roof Placement and Shingle type Verification Form.

## Roof Material (Check One)

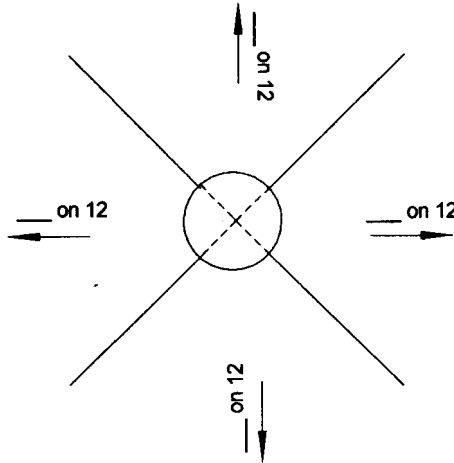
- 1 Composition
- 2 Slate
- 3 Concrete Tile ( Send Specs)
- 4 Barrel Tile (Send Specs)
- 5 Other (Send Specs)

## Roof Location And Pitch (Check One And Fill In Pitch)

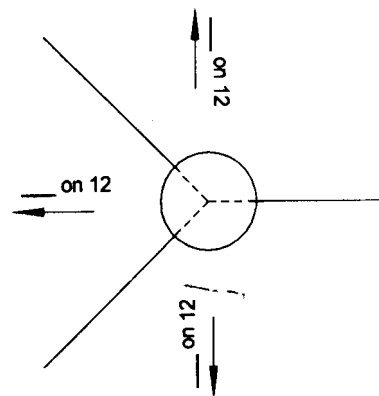
\* Ridge Mount



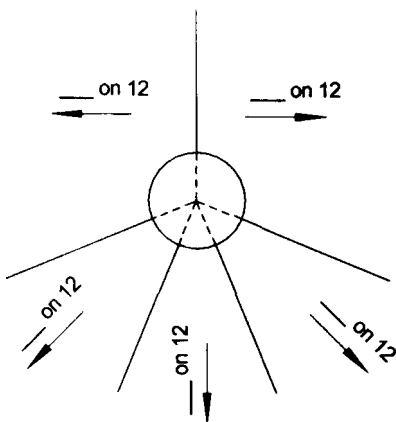
\*Hip Pyramid Mount



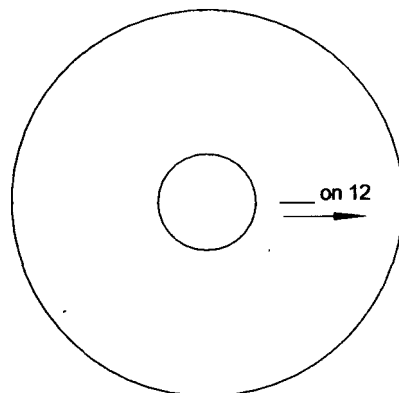
\* Ridge - Hip Mount



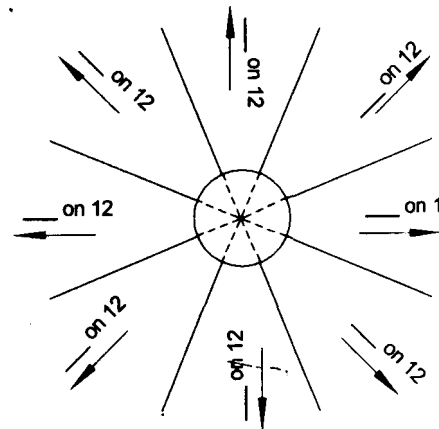
\* Ridge - Multi-Hip Mount



\*Turret Mount



\* Multi Hip (Turret ) Mount



\* Any Variations Require Verification